

## Telescopic slides

with full extension, load capacity up to 3250 N

### SPECIFICATION

#### Types

- Type **B**: with rubber stop
- Type **M**: with rubber stop, latch in back
- Type **K**: with rubber stop, latch in front
- Type **Q**: with rubber stop, latch in back and in front

#### Identification no.

No. **1**: Fastening using through-holes

Slide profile

Steel, zinc plated, blue passivated **ZB**

Bearings

Roller bearing steel, hardened

Ball cage

Plastic

Latches

Zinc die casting / Plastic

Rubber stop

Plastic / Elastomer

Operating temperature -20 °C to 100 °C



### INFORMATION

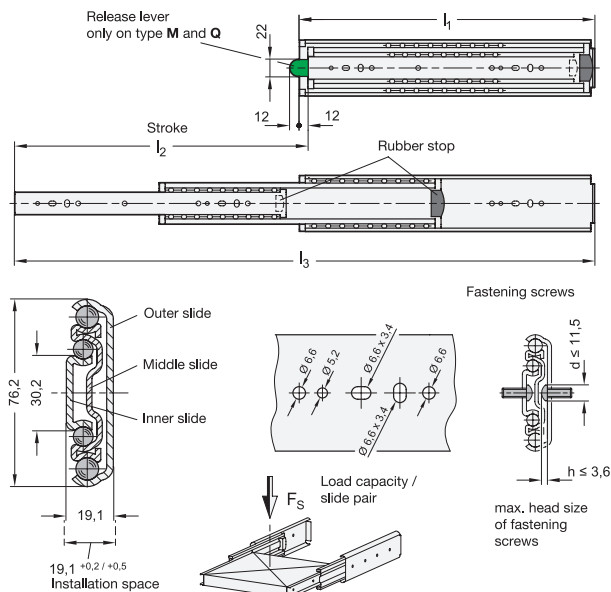
Telescopic slides GN 1440 are installed vertically and in pairs. The stroke reaches  $\approx 100\%$  of the nominal length  $l_1$  (full extension). Patented plastic ball cages ensure extremely smooth running of the slide.

Telescopic slides of various types, for example, with and without latch, can be combined freely, which is why GN 1440 is delivered **as a single unit and not in pairs**. Thanks to the symmetrical design, all types can be installed on either the right or left side on the extension.

All mounting holes are easy to reach through auxiliary holes. Only the mounting holes are shown, but other production-related holes may be present.

### ON REQUEST

- other lengths and hole spacing
- other attachment options
- other surfaces



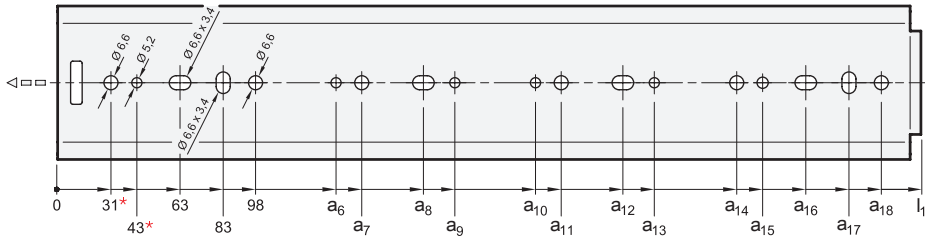
## GN 1440

Description	l1	l2 +4/-4	l3	Fs per pair in N at 10,000 cycles	Fs per pair in N at 100,000 cycles	⚖
GN 1440-300-B-1-ZB	300*	298	586	2250	1575	1380
GN 1440-400-B-1-ZB	400*	398	786	2500	1750	1880
GN 1440-500-B-1-ZB	500*	512	1000	2600	1800	2440
GN 1440-600-B-1-ZB	600*	610	1198	2750	1920	2960
GN 1440-700-B-1-ZB	700*	708	1396	2950	2250	3420
GN 1440-800-B-1-ZB	800*	806	1594	3100	2175	3880
GN 1440-900-B-1-ZB	900*	904	1792	3200	2250	4420
GN 1440-1000-B-1-ZB	1000*	1000	1988	3250	2275	4925
GN 1440-1200-B-1-ZB	1200*	1212	2400	2950	2025	5920
GN 1440-1500-B-1-ZB	1500*	1504	2992	2250	1575	7480
GN 1440-300-K-1-ZB	300*	298	586	2250	1575	1380
GN 1440-400-K-1-ZB	400*	398	786	2500	1750	1880
GN 1440-500-K-1-ZB	500*	512	1000	2600	1800	2440
GN 1440-600-K-1-ZB	600*	610	1198	2750	1920	2960
GN 1440-700-K-1-ZB	700*	708	1396	2950	2250	3420
GN 1440-800-K-1-ZB	800*	806	1594	3100	2175	3880
GN 1440-900-K-1-ZB	900*	904	1792	3200	2250	4420
GN 1440-1000-K-1-ZB	1000*	1000	1988	3250	2275	4900
GN 1440-1200-K-1-ZB	1200*	1212	2400	2950	2025	5920
GN 1440-1500-K-1-ZB	1500*	1504	2992	2250	1575	7480
GN 1440-300-M-1-ZB	300*	298	586	2250	1575	1400
GN 1440-400-M-1-ZB	400*	398	786	2500	1750	1900
GN 1440-500-M-1-ZB	500*	512	1000	2600	1800	2460
GN 1440-600-M-1-ZB	600*	610	1198	2750	1920	2980
GN 1440-700-M-1-ZB	700*	708	1396	2950	2250	3440
GN 1440-800-M-1-ZB	800*	806	1594	3100	2175	3900
GN 1440-900-M-1-ZB	900*	904	1792	3200	2250	4440
GN 1440-1000-M-1-ZB	1000*	1000	1988	3250	2275	4920
GN 1440-1200-M-1-ZB	1200*	1212	2400	2950	2025	5940
GN 1440-1500-M-1-ZB	1500*	1504	2992	2250	1575	7500
GN 1440-300-Q-1-ZB	300*	298	586	2250	1575	1480
GN 1440-400-Q-1-ZB	400*	398	786	2500	1750	1980
GN 1440-500-Q-1-ZB	500*	512	1000	2600	1800	2540
GN 1440-600-Q-1-ZB	600*	610	1198	2750	1920	3060
GN 1440-700-Q-1-ZB	700*	708	1396	2950	2250	3520
GN 1440-800-Q-1-ZB	800*	806	1594	3100	2175	3980
GN 1440-900-Q-1-ZB	900*	904	1792	3200	2250	4520
GN 1440-1000-Q-1-ZB	1000*	1000	1988	3250	2275	5000
GN 1440-1200-Q-1-ZB	1200*	1212	2400	2950	2025	6020
GN 1440-1500-Q-1-ZB	1500*	1504	2992	2250	1575	7580

\* The telescopic slides are delivered as a single unit.

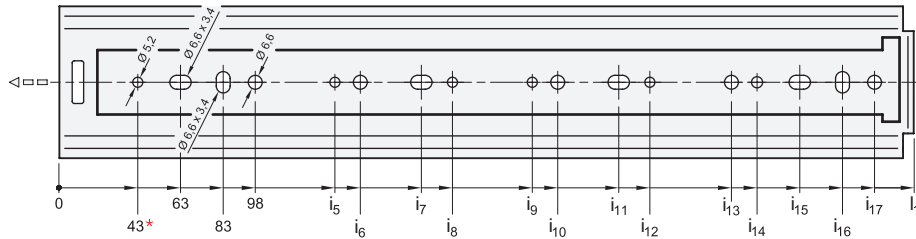


Mounting holes - Outer slide



l1	a6	a7	a8	a9	a10	a11	a12	a13	a14	a15	a16	a17	a18
300	-	-	-	-	-	-	-	-	161	173	193	213	228
400	-	-	-	-	-	-	-	-	261	273	293	313	328
500	-	-	-	-	-	-	-	-	361	373	393	413	428
600	213	228	363	378	-	-	-	-	461	473	493	513	528
700	213	228	363	378	-	-	-	-	561	573	593	613	628
800	313	328	463	478	-	-	-	-	661	673	693	713	728
900	313	328	463	478	-	-	-	-	761	773	793	813	828
1000	413	428	563	578	-	-	-	-	861	873	893	913	928
1200	313	328	463	478	713	728	863	878	1061	1073	1093	1113	1128
1500	413	428	563	578	913	928	1063	1078	1361	1373	1393	1413	1428

Mounting holes - Inner slide



l1	i5	i6	i7	i8	i9	i10	i11	i12	i13	i14	i15	i16	i17
300	-	-	-	-	-	-	-	-	-	173**	-	213	228
400	-	161	-	-	-	-	-	-	261	273	293	313	328
500	-	229	-	-	-	-	-	-	361	373	393	413	428
600	213	228	398	413	-	-	-	-	461	473	493	513	528
700	313	328	463	478	-	-	-	-	561	573	593	613	628
800	313	328	498	513	-	-	-	-	661	573	693	713	728
900	413	428	563	578	-	-	-	-	761	773	793	813	828
1000	413	428	598	613	-	-	-	-	861	873	893	913	928
1200	313	328	463	478	713	728	863	878	1061	1073	1093	1113	1128
1500	413	428	563	578	913	928	1063	1078	1361	1373	1393	1413	1428

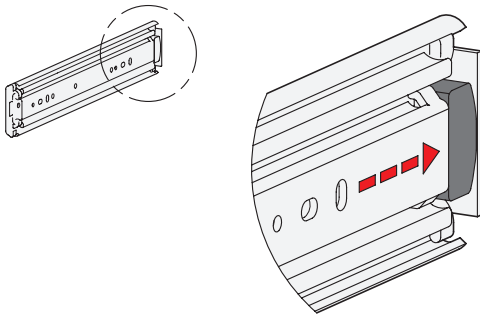
\* Bores are only usable on type B and type K. | \*\* Bores are only usable on type B and type M.

Fastening screws

For the said loading forces  $F_s$  to be absorbed reliably in the surrounding structure, all available through-holes of the outer and inner slide having a diameter ( $\varnothing$ ) of 6.6 must be used. Alternatively, holes with a diameter ( $\varnothing$ ) of 5.2 are available. The elongated holes,  $\varnothing 6.6 \times 3.4$ , facilitate adjustment during mounting when needed. Failure to use fastening screws reduces the load capacity. The following screws can be used for mounting:

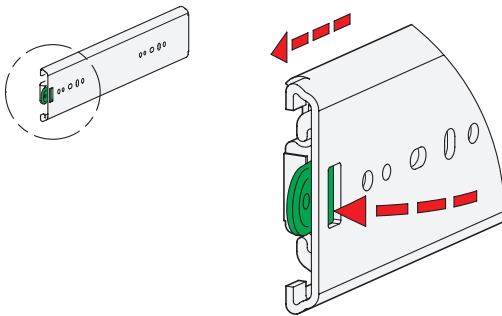
Designation - standard	Outer slide	Inner slide
Hexagon socket button head screw   ISO 7380	M 5 / M 6	M 5 / M 6
Hexagon socket low cylindrical head screw   DIN 7984 / DIN 6912	M 5	M 5



**Type B with rubber stop**

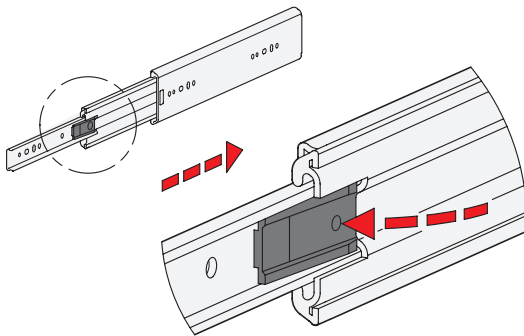
The rubber stops of type B dampen the impact of the slide in the respective end position. This feature minimizes noise development and increases the lifespan. Attached to the slides in a partially concealed, partially visible manner, the stops meet each of the requirements in regard to shape, material, and hardness.

If larger static or dynamic loads occur in the direction of extension, they should be absorbed by external stop elements.

**Type M with rubber stop, latch in back**

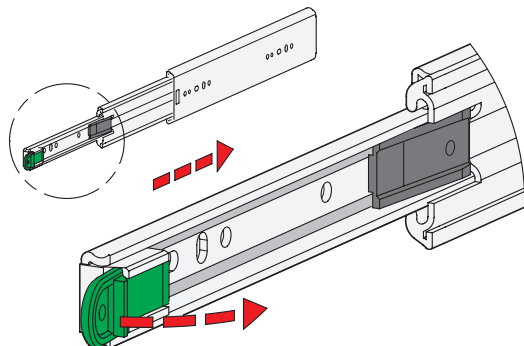
Type M is used in applications in which the slide needs to be locked in the back end position. This feature prevents the slide from extending on its own, for example, due to a tilted position. If larger loads occur in the direction of extension in the latched position, they should be absorbed by external latch elements.

The latch mechanism locks into place in a spring-loaded opening of the outer slide in the closed state. Pressing the release lever releases the inner and middle slide for extension. Back in the back stop position, the mechanism locks into place automatically in the opening of the outer slide by moving over a ramp.

**Type K with rubber stop, latch in front**

Type K is used when the extension needs to stay in the front stop position for a certain amount of time. This feature allows maintenance work to be performed when the extension is expanded, for example. If larger loads occur in the latched position, they should be absorbed by external latch elements.

For the function to be activated, the slide has to be fully extended to the front, where it will automatically click into place through a pretensioned locking lever. Pressing the lever releases the slide, allowing slide to retract again.

**Type Q with rubber stop, latch in back-front**

Type Q unites the properties of types M and K. The inner and middle slide lock into place in the respective end position.

Unlike the release of type K, type Q is activated through an internal rod by a convenient "remote control." The green activation lever is pressed out, the locking lever activated, and the slide released for retraction.